

Publication number : 2002-323687

Date of publication of application : 08.11.2002

Int.Cl. G02F 1/13 G02F 1/1341

5

Application number : 2001-128144

Applicant : HITACHI INDUSTRIES CO LTD

Date of filing : 25.04.2001

Inventor :

10 **ISHIDA SHIGERU**

KAWASUMI YUKIHIRO

HACHIMAN SATOSHI

MURAYAMA TAKAO

HIRAI AKIRA

15 **ENDO MASATOMO**

NAKAYAMA YUKINORI

METHOD AND DEVICE FOR ASSEMBLING LIQUID CRYSTAL SUBSTRATE

20 **[Abstract]**

PROBLEM TO BE SOLVED: To produce a liquid crystal panel without any display unevenness.

SOLUTION: The method for assembling liquid crystal substrates, by which one substrate 1b of substrates is held on a lower surface of a pressurizing plate 27

25 **and another substrate 1a is held on a table 9, then a liquid crystal agent P is**

supplied onto the other substrate 1a, subsequently a gap between the mutually
confronted respective substrates 1a, 1b to stick them to each other with an
adhesive disposed on either one of the respective substrates 1a, 1b, comprises a
nozzle positioning step to position a tip of a nozzle 18b for discharging the liquid
5 crystal agent with a specified height with respect to the surface of the substrate
1a and a liquid crystal agent applying step to apply the liquid crystal agent P on
the other substrate 1a with a specified angle θ with respect to an alignment
direction R of the substrate 1a and with at least a nearly linear application pattern
set previously.

10

[Claims]

[Claim 1]

An assembly method of a liquid crystal substrate, wherein on one of two sheets of substrates being target adhesion subjects is supported by the bottom of a pressurization plate, the other substrate is supported on a table, a liquid crystal agent is supplied to the other substrate, a distance between the opposing substrates becomes narrow, and the substrates are adhered together using an adhesive provided on one of the substrates, the method comprising the steps of:

(a) deciding, on the top of the other substrate, the location of the front end of a nozzle for discharging the liquid crystal agent at a predetermined height toward a surface of the other substrate; and

(b) coating the liquid crystal agent on the other substrate in a coating pattern of at least one almost straight shape that is previously set at a predetermined angle to an orientation direction of the other substrate.

[Claim 2]

The assembly method as claimed according to Claim 1, wherein the step (b) is performed by supplying an inert gas to the circumference of the front end of the nozzle before the liquid crystal agent is coated, and coating the liquid crystal agent while discharging the liquid crystal agent and the inert gas at the same time.

[Claim 3]

The assembly method as claimed according to Claim 1 or 2, wherein UV type dry cleaning or ion blow cleaning is performed on a surface of the other substrate before the step (b).

[Claim 4]

An assembly apparatus of a liquid crystal substrate having a pressurization plate that supports one of two sheets of substrates being target adhesion subjects, a table that supports the other substrate and disposes the other of the substrates to one of the substrates, and liquid crystal supply means that supplies
5 a liquid crystal agent on the other substrate, wherein one substrate and the other substrate to which the liquid crystal agent is supplied are adhered under pressurization within a decompression chamber, the assembly apparatus comprising:

a nozzle having liquid crystal supply means that discharges the liquid
10 crystal agent on the other substrate;

a measurement unit that measures a distance between the plane of the other substrate and the nozzle; and

driving means that elastically supports the motion of the table for coating the liquid crystal agent on the nozzle almost straightly at a predetermined angle to
15 an orientation direction of the other substrate.

[Claim 5]

The assembly apparatus as claimed according to Claim 4, wherein a liquid crystal agent discharge outlet of the nozzle has a porous serial shape for coating the liquid crystal agent in an almost straight shape having a predetermined width.

20 [Claim 6]

The assembly apparatus as claimed according to Claim 4 or 5, further including an inert gas supply hole, which discharges an inert gas to the nozzle before the liquid crystal agent is coated, and surrounds the discharge outlet that discharges the inert gas simultaneously with the coating the liquid crystal agent.

25

[Title of the invention]

METHOD AND DEVICE FOR ASSEMBLING LIQUID CRYSTAL SUBSTRATE

[Detailed Description of the Invention]

[0001]

5 **[Field of the Invention]**

The present invention relates to an assembly method of a liquid crystal substrate and assembly apparatus thereof, wherein substrates being target adhesion subjects with a liquid crystal agent therebetween are disposed opposite to each other, and a distance between the substrates are adhered with a narrow
10 gap.

[0002]

[Description of the Prior Art]

In manufacturing a liquid crystal display panel, two sheets of glass substrates in which a transparent electrode or a thin film transistor array is
15 disposed are adhered together with a very close distance of several μm (for example, 2 μm) using a sealant having a \square shape, which is provided at the outer edge of the substrates or an adhesive coated on a proper location of the outer circumference of the substrate (the substrates after adhesion is referred to as "cell"). Each of the substrates and a space formed by the sealant or the adhesive
20 is sealed using liquid crystal.

[0003]

Conventionally, a substrate adhesion method when performing sealing of liquid crystal includes Japanese Unexamined Patent Application Publication No. Sho62-89025 discloses a method in which liquid crystal is dropped on one of
25 substrates in which the sealant is patterned in a close pattern (a \square shape) so that

an inlet is not formed. Further, the other of the substrates is disposed on one of the substrates within the vacuum chamber, a distance between the other of the substrates and one of the substrates becomes narrow in the vacuum state, and the two substrates are pressurized and adhered together.

5

[0004]

[Means for Solving the Problem]

In the method disclosed in Japanese Unexamined Patent Application Publication No. Sho62-89025, however, a liquid crystal agent is dropped on substrates. Accordingly, there is a problem in that stain failure is generated due to deformation or breakage of a film plane, which is incurred by force among molecules which is generated between the film plane of the substrates and the liquid crystal agent, drop shock or repulsive power of the liquid crystal agent, which is accompanied by pressurization upon adhesion (more particularly, repulsive power accompanied by an increase in the viscosity of the liquid crystal agent), defective orientation and the like. Furthermore, if the gap between upper and lower substrates upon adhesion is narrow, there occur problems in that the interface of a dropped liquid crystal agent is generated and a stain is created. Moreover, this method has a problem in that moisture in air, impurities, etc. are confined between the adhered substrates and the liquid crystal agent due to the introduction of air when the liquid crystal agent is dropped. This generates an oxidization phenomenon, etc., causing dropped marks to remain on the substrates. In addition, there is a problem in that a stain is generated in an assembled liquid crystal panel by means of the dropped marks.

25 **[0005]**

Accordingly, the present invention has been made in view of the above problems, and it is an object of the present invention to provide an assembly method of a liquid crystal substrate and assembly apparatus thereof, wherein a liquid crystal panel not having dropped marks of a liquid crystal agent or a display stain by the interface of the liquid crystal agent upon adhesion can be manufactured.

[0006]

[Means for Solving the Problem]

In order to accomplish the object, according to the present invention, there is provided an assembly method of a liquid crystal substrate, wherein on one of two sheets of substrates being target adhesion subjects is supported by the bottom of a pressurization plate, the other of the substrates is supported on a table, a liquid crystal agent is supplied to the other of the substrates, a distance between the opposite substrates becomes narrow, and the substrates are adhered together using an adhesive provided on one of the substrates. The method includes the steps of deciding, on the top of the other of the substrates, the location of the front end of a nozzle for discharging the liquid crystal agent at a predetermined height toward a surface of the other of the substrates, and coating the liquid crystal agent on the other of the substrates in a coating pattern of at least one almost straight shape that is previously set at a predetermined angle to an orientation direction of the other of the substrates.

[0007]

[Embodiment of the Invention]

An assembly apparatus of a liquid crystal substrate according to an embodiment of the present invention will be described with reference to Figs. 1 to 3.

[0008]

5 The construction of the assembly apparatus of the liquid crystal substrate according to the present embodiment is shown in Fig. 1. The assembly apparatus of the liquid crystal substrate can mainly include a liquid crystal pattern coating unit S1 being a liquid crystal coating apparatus, a substrate junction unit S2 which has a pressurization plate 27 that supports an upper substrate 1b and
10 pressurizes the upper substrate 1b onto a lower substrate 1a, and a XYθ stage T1 having a table 9 that supports the lower substrate 1a thereon. In this case, the liquid crystal pattern coating unit S1 and the substrate junction unit S2 are supported by a plurality of support poles that are erect on the mounting plate 2 and a frame 3 comprised of a horizontal member extending between the support
15 poles, and are disposed adjacent to them. The XYθ stage T1 is disposed to move between the liquid crystal pattern coating unit S1 and the substrate junction unit S2, and the mounting plate 2. The construction of each of them will be described.

[0009]

20 The liquid crystal pattern coating unit S1 includes a dispenser 17 having a nozzle 18 that drops a desired amount of a liquid crystal agent on the lower substrate 1a (the principle surface of the lower substrate 1a) located on the table 9 to be described later, a Z-axis stage 15 that supports the dispenser 17 and moves it in the up and down direction (the Z-axis direction in Fig. 1), a motor 16 that elastically supports the up- and down-motion of the Z-axis stage 15, and a
25 substrate surface height measurement unit LS disposed in the vicinity of the

dispenser 17 and supported by the Z-axis stage 15. The liquid crystal pattern coating unit S1 constructed above maintains the Z-axis stage 15 using a bracket 14 that is projected from the frame 3 to be described later, which supports the substrate junction unit S2.

5 [0010]

The dispenser 17 will be below described. The dispenser 17 is coupled to a pressure source (not shown) (for example, a pump) and an air filter (not shown). The inert gas such as nitrogen gas or argon gas, which is sent from the pressure source, passes through the air filter. The inert gas that does not contain
10 impurities such as waste can be thus transferred. The inert gas is transferred to a gas supply unit 18a in which the dispenser 17 that contains the liquid crystal agent supplies the inert gas to the storage unit 17a and the lower substrate 1a, as shown in Fig. 3. As such, as the inert gas is supplied to the storage unit 17a, the liquid crystal agent is forcedly send. The liquid crystal agent a nozzle front-end
15 portion 18b is thus coated on the lower substrate 1a. Further, the gas supply unit 18a covers the nozzle front-end portion 18b, and the inert gas is discharged in such a way to surround the nozzle front-end portion 18b. The front end (a liquid crystal agent discharge outlet) of the nozzle front-end portion 18b according to the present embodiment is almost circular. As such, since a dual nozzle is
20 employed as such, the liquid crystal agent can be coated without being in contact with air as possible.

[0011]

In the case where the liquid crystal agent is coated using the above-described dispenser 17, the inert gas is generally discharged while coating the
25 liquid crystal agent.

In this case, in the present embodiment, since the discharge of the inert gas begins before the liquid crystal agent is coated, air on the surface of the lower substrate 1a is removed. It is thus possible to further reduce a possibility that the liquid crystal agent can be in contact with air.

5 [0012]

The construction of the aforementioned substrate surface height measurement unit LS will be below described. The substrate surface height measurement unit LS serves to measures a time from when supersonic waves are radiated toward the principle surface of the lower substrate 1a until when its reflection waves return, and measure a distance between the substrate surface height measurement unit LS and the lower substrate 1a based on the measured time. The substrate surface height measurement unit LS can be used to adjust the location of the nozzle of the dispenser 17, as will be described later. That is, when moving the Z-axis stage 15 up and down so that the location of the nozzle become a desired height from the lower substrate 1a, a distance measured by the substrate surface height measurement unit LS is used.

[0013]

At this time, though not shown in Fig. 1, a dispenser for discharging a sealant is disposed near the dispenser 17 for dropping the liquid crystal agent. The dispenser for discharging the sealant is fixed to the frame 3 through a bracket (not shown) in the same manner as the dispenser 17 for dropping the liquid crystal agent.

[0014]

The substrate junction unit S2 includes an upper chamber unit 21 whose bottom consisting of a decompression chamber and the lower chamber unit 10 to

be described later is perforated, and a pressurization plate 27 that is disposed within the upper chamber unit 21 through a shafts 29 and has a suction adsorption device and an electrostatic adsorption device. The upper chamber unit 21 and the pressurization plate 27 move up and down independently.

5 [0015]

In particular, a through hole (not shown) through which a plurality of the shafts 29 penetrate is formed in the upper chamber unit 21. Further, on the top of the upper chamber unit 21 is formed a housing 30, which covers a gap between the through hole and the shafts 29 and has a linear bush and a vacuum seal covering the shafts 29 built in, and a cylinder 22, which fixes the body to the horizontal member of the frame 3 and fixes a member that reciprocally moves within the body in the up and down direction to the top of the upper chamber unit 21. Through this construction, the upper chamber unit 21 is moved in the up and down direction by means of the cylinder 22 using the shafts 29 as a guide.

15 [0016]

The vacuum seal of the above-described housing 30 is built so that vacuum leakage is not generated from a gap between the through hole and the shafts 29, although the upper chamber unit 21 and the lower chamber unit 10 are combined to form the decompression chamber and the housing 30 is thus deformed. For this reason, although load is applied to the shafts 29 due to the deformation of the decompression chamber, the vacuum seal can absorb the power. Further, the vacuum seal can also prevent deformation of the pressurization plate 27 fixed to one end of the shafts 29. Thus, upon adhesion of the substrates 1a and 1b as described above, the adhesion can be performed with

the upper substrate 1b fixed to the pressurization plate 27 and the lower substrate 1a fixed to the table 9 become parallel to each other.

[0017]

5 In this case, a flange 21a for performing air-tightening of the decompression chamber when the decompression chamber is formed together with the lower chamber unit 10 is disposed at the bottom (the circumference of the aperture) of the upper chamber unit 21.

[0018]

10 Further, on the side of one side of the upper chamber unit 21 are disposed a pipe horse 24 that communicates with the decompression chamber in order to decompress the decompression chamber, a vacuum valve 23 disposed in the middle of the pipe horse 24, and the vacuum pump (not shown) coupled to the pipe horse 24.

[0019]

15 Furthermore, on the side of the other side of the upper chamber unit 21 are disposed a gas purge valve 25 that communicates with the decompression chamber in order to return the inside of the decompressed decompression chamber to an atmospheric pressure, a gas tube 26 couple to one end of the gas purge valve 25, and a pressurization pump that is coupled to the other end of the
20 gas tube 26 and transmits nitrogen, clean dry air, etc.

[0020]

25 In this case, on the upper chamber unit 21 is disposed a plurality of windows for monitoring positional matching marks of the substrates 1a and 1b through marks recognition holes (not shown) that are formed in the pressurization plate 27. At this time, an image recognition camera (not shown) disposed at an

upper side of the windows of the upper chamber unit 21 is used to monitor the positional matching marks. Deviation of the positional matching marks of the substrates 1a and 1b is measured by means of the image recognition camera.

[0021]

5 Thereafter, the pressurization plate 27 is fixed to one end of the shaft 29, as described above. In this case, the other end of the shaft 29 is fixed to the housing 31. The pressurization plate 27 is adapted to move up and down by means of the linear guide 34 disposed at both ends of the housing 31 and a guide member 3a disposed in the frame 3 that engages the linear guide 34. To be more precise, the
10 pressurization plate 27 includes a housing 32 disposed on the housing 31, a load meter 33 disposed on a surface of the housing 32, a nut housing 37 which has an arm screw unit concaved in a spiral shape in the up and down direction and is disposed on the load meter 33, a ball screw 36 that is rotatably coupled to the arm screw unit of the nut housing 37, and a motor 40 which has an output axis and
15 rotates a ball screw 36 around the axis. The motor 40 is driven to implement the up- and down-motion of the pressurization plate 27. At this time, the motor 40 is fixed to the bracket 38 on the frame 35 disposed on the frame 3.

[0022]

20 Through this construction, the motor 40 is driven to lower the pressurization plate 27 that supports the upper substrate 1b and to adhere the substrate 1b the lower substrate 1a on the table 9l, thus providing pressurization necessary for adhesion. In this case, the above-described load meter 33 operate as a pressurization sensor, and controls the motor 40 according to a feedback signal, thus providing desired pressurization to the substrates 1a and 1b.

25 [0023]

As described above, the pressurization plate 27 that moves up and down is provided with the suction adsorption device and the electrostatic adsorption device, as described above. The suction adsorption device includes a plurality of suction holes (not shown) formed from the bottom of the pressurization plate 27, a joint 41 for suction adsorption, which communicates with each of the suction hole and is disposed in the upper chamber unit 21, a suction tube 42 that communicates with the joint 41 for suction adsorption, and the vacuum pump (not shown) that is coupled to the suction tube 42. The suction adsorption device constructed above drives the vacuum pump under the atmosphere to adhere the upper substrate 1b to the bottom of the pressurization plate 27 by way of vacuum adsorption (or suction adsorption).

[0024]

Hereinafter, the electrostatic adsorption device will be described. The electrostatic adsorption device includes an almost square flat panel electrode in the present embodiment, and is mounted in each of two almost square concave portions formed at both ends of the bottom of the pressurization plate 27. Further, the flat panel electrode has its surface (a lower side of the pressurization plate 27) covered with dielectric substance. The principle surface of the dielectric substance confronts the bottom of the pressurization plate 27. As such, the flat panel electrode disposed in the pressurization plate 27 is coupled to positive or negative DC power through a proper switch. For this reason, if the positive or negative voltage is applied to each of the flat panel electrodes, negative or positive charges are caused in the principle surface of the dielectric substance. Further, the upper substrate 1b is electrostatically adsorbed to the pressurization plate 27 due to crone power generating between transparent electrode films

formed in the upper substrate 1b. In this case, the voltages applied to the electrostatic adsorption electrodes can have the same polarity or a different polarity.

[0025]

5 Furthermore, in the case of the atmosphere, suction adsorption can be preferably performed using the aforementioned suction hole. This is because if electrostatic adsorption is performed, a discharge phenomenon is generated due to static electricity, damaging the upper substrate 1b or the pressurization plate 27 when an air layer exists between the upper substrate 1b and the pressurization
10 plate 27. For this reason, for example, since the circumstance is under the atmosphere when the upper substrate 1b is first adhered to the pressurization plate 27, it is preferred suction adsorption is first performed by the suction adsorption device, and electrostatic adsorption is then performed after a decompression chamber is decompressed to the degree where the discharge
15 phenomenon is not generated while the decompression room is decompressed.

[0026]

In this case, as will be described later, if the decompression chamber is decompressed in a state where the upper substrate 1b undergoes suction adsorption in the pressurization plate 27, there is a possibility that adsorption
20 force thereof becomes weak and the upper substrate 1b may drop. Due to this, a container ring 60 for containing the upper substrate 1b at a location right below the pressurization plate 27 is disposed in. The container ring 60 is disposed corresponding to two edges being diagonal locations of the upper substrate 1b, and is supported by a shaft 59 extending from the upper chamber unit 21 to the
25 bottom thereof.

[0027]

In particular, though not shown in the drawing, the shaft 59 is inserted into a through hole formed on the upper chamber unit 21. The shaft is constructed to rotate around the shaft 59 about its axial center and to move up and down. In this case, the shaft 59 is surrounded with a vacuum seal in order to prevent vacuum leakage from occurring in the decompression chamber. The rotation is performed by a rotary actuator (not shown) coupled to the end of the shaft 59, and the up and down motion is carried out by an elevation actuator (not shown) coupled to the end of the shaft 59 in the same manner. As such, as the shaft 59 is rotated and moved up and down, the substrates 1a and 1b are adhered. The container ring 60 can be removed so that the liquid crystal agent dropped on the lower substrate 1b does not interfere the diffusion of the principle surface of the substrates 1a and 1b when the liquid crystal agent diffuses.

[0028]

The construction of the $XY\theta$ stage T1 will be then described. The $XY\theta$ stage T1 includes a X stage 4a disposed on the mounting plate 2, a Y stage 4b disposed on the X stage 4a, a θ stage 4c disposed on the Y stage 4b, a table 9 which is disposed on the θ stage 4c and supports the lower substrate 1a thereon, and a lower chamber unit 10 that is fixed to the Y stage 4b through a plate 13 and has an upper side which forms the decompression chamber together with the upper chamber unit 21 perforated.

[0029]

The X stage 4a according to the present embodiment is constructed to move the Y stage 4b, the θ stage 4c, the table 9 and the lower chamber unit 10 in the left and right direction (the X-axis direction in Fig. 1), i.e., in a reciprocal

motion at the bottom of the liquid crystal pattern coating unit S1 and the substrate junction unit S2 by means of the driving motor 5. Furthermore, the Y stage 4b is constructed to move the θ stage 4c, the table 9 and the lower chamber unit 10 in the forward and backward direction (the Y-axis direction in Fig. 1) by means of the driving motor 6. More particularly, the θ stage 4c is constructed to rotate in the θ direction shown in Fig. 1 against the Y stage 4b by means of the diving motor 8 through a rotary bearing 7. In this case, the θ stage 4c is disposed to rotate against the lower chamber unit 10 through the rotary bearing 11 and the vacuum seal 12. Thus, although the θ stage 4c rotates, the lower chamber unit 10 is not moved.

[0030]

In this case, the lower substrate 1a is disposed in the gravity direction on the table 9. Thus, in order to contrive positional decision of the lower substrate 1a, the table 9 includes a positional decision device including a plurality of positional decision members 81 disposed corresponding to neighboring two circumferences of the lower substrate 1a, and a plurality of compression rollers 82 disposed corresponding to the remaining two circumferences of the lower substrate 1a, as shown in Fig. 2. The compression rollers 82 are adapted to move on the table 9 in an arrow direction shown in Fig. 2. It compress the lower substrate 1a to the positional decision members 81 using the compression rollers 82, thereby performing positional decision in a horizontal direction (a surface direction of the table 9) of the lower substrate 1a and performing the support on the table 9.

[0031]

At the time of fine positional decision right before the substrates 1a and 1b are adhered together, however, there is a possibility that the lower substrate 1a

can be deviated or rises high since the upper substrate 1b is in contact with the sealant or the liquid crystal agent on the lower substrate 1a. Further, when the decompression chamber is decompressed, the air between the lower substrate 1a and the table 9 can exist during the decompression process. This may cause the lower substrate 1a to deviate. For this reason, a suction adsorption device and an electrostatic adsorption device that are constructed in the same manner as the aforementioned pressurization plate 27 are provided in the table 9. Thereby, the lower substrate 1a can be closely adhered on the table 9.

[0032]

In this case, a plurality of pins (not shown), which is projected from a mounting surface of the lower substrate 1a and can move in the up and down direction, is disposed in the table 9. The table 9 raises the pins and pushes up the substrates after adhesion. This facilitates extraction from the table 9. Further, for example, when each of the pins is raised, it is contact with the table 9 and becomes a ground state. It is thus possible to remove electricity of the substrates after adhesion.

[0033]

In the lower chamber unit 10 are provided an O-ring 44 disposed at an upper side (the circumference of the aperture) and a ball bearing 87 disposed outside the O-ring 44. As such, since the O ring 44 is provided, when the upper chamber unit 21 is lowered to make the flange 21a in contact with the O ring 44, the chamber units 10 and 21 are integrated and thus serve as a decompression chamber, as will be described later. Further, the ball bearing 87 can be set to a predetermined location of the up and down direction in order to control the compression amount of the O ring 44 when the decompression chamber is

decompressed. As such, by properly adjusting the location of the ball bearing 87, force applied by decompression can be applied to the lower chamber unit 10 via the ball bearing 87. Further, since the ball bearing 87 is disposed, elastic deformation of the O-ring 44 is made possible. Thus, upon adhesion to be described later, the XYθ stage T1 can be easily moved within the elastic range of the O ring 44, so that positional decision can be performed accuracy.

[0034]

The operation of the assembly apparatus of the liquid crystal substrate according to the present embodiment will now be described.

10 [0035]

After a tool (not shown) that supports the upper substrate 1b is first laid in the table 9 using the hand of the moving machine, the driving motor 5 is driven to move the X stage 4a, thus moving the XYθ stage T1 below the substrate junction unit S2. Further, the motor 40 is driven to lower the pressurization plate 27. The upper substrate 1b of the table 9 is adsorbed to the pressurization plate 27. Thereafter, the motor 40 is driven to raise the pressurization plate 27, and the upper substrate 1b keeps supported by the pressurization plate 27.

[0036]

If the support of the upper substrate 1b to the pressurization plate 27 is finished, the driving motor 5 is driven to move the XYθ stage T1 below the liquid crystal pattern coating unit S1. Further, the tool that is empty from the table 9 is released to locate the lower substrate 1a on the table 9 using the hand of the moving machine. The lower substrate 1a is positioned in the positional decision members 81 and the compression rollers 82 shown in the aforementioned Fig. 2.

25 [0037]

At this time, since the rubbing direction of each of orientation films provided in the substrates 1a and 1b is generally disposed almost in a perpendicular way, it is necessary to consider the rubbing direction of each of the substrates 1a and 1b so that the liquid crystal agent can diffuse upon adhesion when supplying a liquid crystal agent to a predetermined area (location). That is, if the shape of a supplied liquid crystal agent is long and narrow in an approximately perpendicular direction to the orientation direction, the liquid crystal agent almost uniformly spreads. As such, the reason why the liquid crystal agent is coated in consideration of the rubbing direction is that since the liquid crystal agent easily flows in the rubbing (orientation) direction, a time until the liquid crystal agent reaches a sealant is made almost uniform regardless of its direction and a side where the liquid crystal agent slowly spreads becomes close to the sealant. For this reason, diffusion of a liquid crystal agent upon adhesion is taken into consideration, and a pattern having a tilt of a predetermined angle to the orientation direction of the lower substrate 1a, as will be described later is formed, is formed. Thus, spreading of the liquid crystal agent upon completion of adhesion becomes almost uniform.

[0038]

In view of the above, each of the substrates 1a and 1b is located on the table 9 such that its rubbing direction has a predetermined angle to the coating direction of the liquid crystal agent (e.g., an X-axis direction shown in Fig. 1 in the present embodiment).

[0039]

As described above, after the lower substrate 1a is supported on the table 9, ion blow is performed using the ion blow means IB shown in Fig. 1 in order to

improve the wettability of the liquid crystal agent on a surface of the lower substrate 1a. Ion blow is for cleaning the surface of the substrate and improving the wettability of the liquid crystal agent, by blowing ionization supersonic air onto the surface of the lower substrate 1a. In this case, dry cleaning can be performed by means of an UV type dry cleaner UVL shown in Fig. 1 instead of ion blow. There is, however, a possibility that dry cleaning can have a bad influence on a sealant to be described later (solidify a sealant) if it is performed after the sealant is coated. It is thus preferred that dry cleaning is performed before the sealant is coated. Meanwhile, in the case where ion blow is employed, there is no problem if it is performed after the sealant is coated.

[0040]

The driving motors 5 and 6 are driven to move the X stage 4a and the Y stage 4b. While the XYθ stage T1 is moved in the X-axis and Y-axis direction, the dispenser for supplying a sealant discharges the sealant on the lower substrate 1a. At this time, a sealant having a close pattern such as a □ shape is coated on the lower substrate 1a. As such, after the sealant is coated, the dispenser 17 discharges a necessary amount of a liquid crystal agent within the circumference consisting of the sealant. A method of coating the liquid crystal agent will be described in detail.

[0041]

The height (a discharge height of the liquid crystal agent P) of the nozzle front-end portion 18b, wherein the liquid crystal agent P is coated on the lower substrate 1a, is measured using the aforementioned substrate surface height measurement unit LS provided in the vicinity of for coating the liquid crystal agent. The motor 16 is driven to move the Z-axis stage 15 up and down, based on

the measurement value. The nozzle front-end portion 18b of the dispenser 17 is positioned at a predetermined height. In the present embodiment, the height of the nozzle front-end portion 18b is set about 10 to 20 μm lower than the height of the sealant (the height of 20 to 30 μm in the present embodiment). As such, if the discharge height of the liquid crystal agent P is set lower than that of the sealant, repulsive power acting between the substrates 1a and 1b can be mitigated by means of the liquid crystal agent P when the substrates are pressurized upon adhesion. It is also possible to reduce shock power when dropping a liquid crystal agent as in the prior art. Generation of a stain can be also prevented. Since the height of the liquid crystal agent P supplied becomes low, an adhesion time can be shortened.

[0042]

Next, while moving the lower substrate 1a in the X-axis or Y-axis direction by moving the X stage 4a or the Y stage 4b, the liquid crystal agent P is discharged from the nozzle front-end portion 18b and is coated around the central portion on the principle surface of the substrate 1a in a predetermined pattern.

[0043]

In the coating pattern of the liquid crystal agent in the present embodiment, as shown in Fig. 4(a), the liquid crystal agent P is coated within the pattern of a close sealant in the straight shape at the height where the aforementioned nozzle front-end portion 18b is set. The coating direction at this time is about an angle of θ (e.g., about 30 to 60 degree) to the orientation direction R (a rubbing direction) of the orientation film of the lower substrate 1a. In this case, the coating amount of the liquid crystal agent P is almost the same as the volume between each of the substrates 1a and 1b and the sealant when the substrates are completely adhered.

Furthermore, the coating direction of the liquid crystal agent P is preferably 45 degree to the orientation direction if the liquid crystal agent P spreads when the substrates are adhered. As such, as the liquid crystal agent P is continuously discharged to coat the lower substrate 1a, the supply time of the liquid crystal agent P can shorten.

[0044]

In this case, it is preferred that before the liquid crystal agent P is discharged, only an inert gas is previously supplied from the gas supply unit 18a, a surface of the lower substrate 1a is kept in an inert gas atmosphere, and the liquid crystal agent P is coated while discharging the liquid crystal agent P and the inert gas at the same time. As such, if the liquid crystal agent P is coated during the inert gas atmosphere, it is possible to prevent introduction of moisture in the atmosphere or an impurity, and oxidization of the liquid crystal agent P. Further, the liquid crystal agent P can be widely wet by way of the action of the discharged inert gas and can have the height lower than that of the liquid crystal plane. It is thus possible to further shorten the adhesion time of substrates. Further, a heater HT shown in Fig. 2 is disposed in the table 9, and the heater HT heats the lower substrate 1a. The viscosity of the coated liquid crystal agent P can be lowered and the height of the liquid crystal plane can be lowered.

[0045]

At this time, as described above, after the liquid crystal agent P is coated, ion blow can be performed on the surface of the substrate 1a. Therefore, the lower substrate 1a has a further lowered wettability of the liquid crystal agent. The liquid crystal agent can rapidly expand to the cross section of the sealant compared to a case where ion blow is not performed. Furthermore, the liquid crystal agent P can

be coated, while exciting the lower substrate 1a. This can further mitigate shock power when a liquid crystal agent is dropped as in the prior example, and the action of surface tension between the liquid crystal agent and the lower substrate 1a easily disappears. It is therefore possible to further prevent generation of a stain.

[0046]

Though description has been omitted, a spacer is previously sprayed or attached to the upper substrate 1b or the lower substrate 1a. At this time, the spacer serves to prevent a gap between the substrates 1a and 1b from becoming over a predetermined value when the substrates 1a and 1b are adhered. Further, in a state where the spacer is mixed in the liquid crystal agent, the spacer can be sprayed together with the coating of the liquid crystal.

[0047]

As described above, after a necessary amount of the liquid crystal agent is dropped, the driving motor 5 is driven to move the XYθ stage T1 at a predetermined location below the substrate junction unit S2. Further, if the XYθ stage T1 is stopped, the cylinder 22 is driven to lower the upper chamber unit 21 and to cause the flange unit 21a to be in contact with the O ring 44. The decompression chamber consisting of the lower chamber unit 10 and the upper chamber unit 21 is thus completed.

[0048]

After the decompression chamber is formed, the vacuum valve 23 is opened to decompress the decompression chamber. At this time, since the upper substrate 1b is adsorbed to the pressurization plate 27 as described above, suction adsorption force that is being applied to the substrate 1b becomes small

while the decompression chamber is decompressed. The upper substrate 1b cannot be maintained and the upper substrate 1b drops due to its weight. Due to this, the contain ring 60 shown in Fig. 2 is moved by means of the aforementioned rotary actuator or the elevation actuator. The upper substrate 1b is contained in the contain ring 60 and is then supported at a location right below the pressurization plate 27.

[0049]

When the decompression chamber is sufficiently decompressed (about 5×10^{-3} Torr in the present embodiment), a voltage is applied to the electrostatic adsorption device provided in the pressurization plate 27. The upper substrate 1b on the contain ring 60 is supported in the pressurization plate 27. At this time, since the decompression chamber is significantly decompressed and the air does not exist between the pressurization plate 27 and the upper substrate 1b, discharge by static electricity is not generated. Furthermore, a phenomenon that the upper substrate 1b rises high, which occurs when the air exists, is not generated.

[0050]

If the upper substrate 1b is electrostatically adsorbed, the shaft 59 is lowered by the elevation actuator and is then rotated by the rotary actuator, so that the contain ring 60 is evacuated not to hinder adhesion of the substrates 1a and 1b. Further, the motor 40 is driven to lower the pressurization plate 27, and the upper substrate 1b is made approach the lower substrate 1a. Thereafter, the positional matching marks provided in the substrates 1a and 1b are read using the image recognition camera, and positional deviation is measured through an image process. The operation of the X stage 4a, the Y stage 4b and the θ stage 4c

is controlled based on the measurement, and the table 9 is moved. Thus, the lower substrate 1a and the upper substrate 1b can be positioned with high accuracy. In this case, since the ball bearing 87 as described above is provided in the lower chamber unit 10, the ball bearing 87 can maintain the distance between the chamber units 10 and 21 as the table 9 is moved. It is also possible to maintain the vacuum state (a decompression state) without significantly changing the O-ring 44.

[0051]

If the positioning is finished, the pressurization plate 27 is further lowered and the bottom of the upper substrate 1b becomes in contact with the sealant on the lower substrate 1a. At this time, while the load meter 33 measures pressurization applied to the sealant, the driving force of the motor 40 is controlled to adhere the substrates 1a and 1b at a predetermined distance. In this case, since the upper substrate 1b is adhered to the pressurization plate 27 by means of electrostatic adsorption force, the center of the upper substrate 1b does no sink. Accordingly, it does not have a bad influence on the spacer in the liquid crystal agent, or defective positioning among the substrates 1a and 1b does not occur.

[0052]

In this case, if the area of the adhered substrates increases, the sealant cannot be sufficiently adhered only with adhesion by the aforementioned pressurization force. Due to this, if adhesion (first pressurization) by pressurization force is completed, electrostatic adsorption of the pressurization plate 27 is released and the cylinder 22 is driven to raise the upper chamber unit 21. The vacuum valve 23 is then closed and the gas purge valve 25 is opened to

supply nitrogen gas or clean dry air to the vacuum chamber, returning the vacuum chamber to the atmospheric pressure. As such, since the vacuum chamber returns to the atmospheric pressure, pressure is applied to the liquid crystal substrates, so that the substrates can be surely adhered to a desired thickness (second pressurization).

[0053]

At this time, when the pressure within the vacuum chamber changes from the vacuum state to the atmospheric pressure, high pressure is uniformly applied to the substrates 1a and 1b from the outside since a space portion between liquid crystal agents between the substrates 1a and 1b is in the vacuum state. For example, if the atmospheric pressure is applied when the space portion between the substrates 1a and 1b is in the vacuum state, power of 121.6 kN can be applied. The main pressurization performs adhesion using the pressure applied to each of the substrates 1a and 1b.

[0054]

If the adhesion is completed, the gas purge valve 25 is closed and the XYθ stage T1 returns below the liquid crystal pattern coating unit S1. The adhered substrates are taken out from the table 9 using the hand of the moving machine. Adhesion of next substrates is then prepared. The substrates that are taken out after the adhesion are sent to an UV light radiation device or a heating device in order to harden the sealant.

[0055]

As described above, in the present embodiment, immediately after a sealant is coated and a liquid crystal agent is dropped, the process can proceed to an adhesion process. Thus, dust is not easily attached to the substrates before

adhesion. Further, due to this, defective parts, which are incurred by dropped marks as in the prior example, are not easily generated in the substrates after the adhesion. This can also improve the yield.

[0056]

5 Furthermore, since an exact amount of a liquid crystal agent can be supplied, it is possible to prevent waste of the liquid crystal agent. There is also no possibility that substrates can be contaminated since the liquid crystal agent overflows the outside of a pattern of a sealant. In this case, as there is no need for a cleaning process of contaminated substrates, the productivity can be further
10 improved.

[0057]

 Furthermore, the XYθ stage T1 that supports the lower substrate 1a thereon can be used to return the upper chamber unit 21 of the upper substrate 1b. It is thus possible to miniaturize an assembly apparatus even without using other
15 equipment for returning the upper substrate 1b.

[0058]

 Furthermore, the present invention is not limited to the above embodiment, but can be implement as follows.

(1) In the present embodiment, it has been described that the liquid crystal
20 pattern coating unit S1 and the substrate junction unit S2 are disposed on the common mounting plate 2. An apparatus that can coat both a sealant and a liquid crystal agent can be constructed separately from an apparatus that performs adhesion. Further, a sealant coating apparatus and a liquid crystal agent coating apparatus can be constructed separately.

(2) A relative motion direction among substrates, which expands a liquid crystal agent, can be a circular shape or a spiral shape if the liquid crystal agent does not overflow a pattern of a sealant.

(3) In the present embodiment, a method of locally supplying an inert gas from a nozzle has been described. The whole assembly apparatus can be disposed within a chamber of an inert gas atmosphere or within a decompression chamber. Thus, a dropping atmosphere of the liquid crystal agent can become an inert gas or vacuum (decompression) state.

(4) In the present embodiment, it has been illustrated that the circumference of the dispenser 17 is surrounded with the cover 17k and locally supplies an inert gas. However, the whole assembly apparatus can be disposed within a chamber of the inert gas atmosphere or a decompression chamber, so that the drop atmosphere of the liquid crystal agent becomes an inert gas or vacuum (decompression) state.

[0059]

In this case, the coating pattern of the liquid crystal agent can be performed as follows instead of that shown in Fig. 4(a).

[0060]

Firstly, as shown in Fig. 4(b), a plurality of straight pattern of the liquid crystal agent P shown in Fig. 4(a) is patterned (coated). At this time, the coating direction of the liquid crystal agent P is an angle θ to the rubbing direction (orientation direction) R as in the coating pattern of the liquid crystal agent shown in Fig. 4(a). By making the liquid crystal agent have the coating pattern, a sufficient amount of the liquid crystal agent P can be supplied to the lower

substrate 1a although a distance between the nozzle front-end portion 18b and the lower substrate 1a becomes small. Further, since the height of the liquid crystal agent P can be further lowered, a stain can be prevented or an adhesion time can be shortened. At this time, a timing where adhesion of substrates is performed is preferably after a plurality of coated lines of the liquid crystal agent P is diffused within the pattern of the sealant and closed.

[0061]

Secondly, as shown in Fig. 4(c), the liquid crystal agent P is coated almost in a cross shape. The reason why the liquid crystal agent P is coated almost in a cross shape is for allowing the liquid crystal agent P to easily diffuse upon adhesion of substrates because the upper substrate 1b and the lower substrate 1a are almost perpendicular to the rubbing direction R. This coating pattern of the liquid crystal agent is effective in coating the liquid crystal agent P in a direction identical to the rubbing direction R because the liquid crystal agent P can easily diffuse although the rubbing direction (the orientation direction) R is coincident with the coating direction of the liquid crystal agent P, as shown in Fig. 4(c).

[0062]

Thirdly, as shown in Fig. 4(d), the liquid crystal agent P is coated almost straightly (almost square) with a wide width. In this case, the nozzle front-end portion having the discharge outlet of the porous serial shape in which a plurality of liquid crystal agent discharge outlet holes is disposed in series can be employed instead of the nozzle front-end portion 18b of the above almost circular discharge outlet. The coating direction of the liquid crystal agent P is coated at an angle θ to the rubbing direction (the orientation direction) R as in the liquid crystal agent coating pattern shown in Fig. 4(a). By coating the liquid crystal

agent P using the nozzle front-end portion, it is not necessary to discharge the liquid crystal agent P by changing the discharge location several times as shown in Fig. 4(b) in order to supply a desired amount of the liquid crystal agent P. It is also possible to shorten the supply time of the liquid crystal agent P. Furthermore, a sufficient amount of the liquid crystal agent P can be supplied to the lower substrate 1a if a distance between the nozzle front-end portion 18b and the lower substrate 1a is small. It is thus possible to further lower the height of the liquid crystal agent P and also to prevent a stain or shorten the adhesion time.

[0063]

[Effect of the Invention]

According to the present invention in accordance with an assembly method of a liquid crystal substrate and assembly apparatus thereof, it is possible to prevent generation of a strain due to deformation or breakage of a film plane, which is incurred by molecular power generating between the film plane of substrates and a liquid crystal agent, drop shock or repulsive power of the liquid crystal agent that is accompanied by pressurization upon adhesion, which is generated by dropping the liquid crystal agent on the substrate in a conventional example. Furthermore, since it is possible to prevent generation of an interface of the liquid crystal agent that is dropped in a state where upper and lower substrates have a narrow gap in an adhesion process, generation of a strain can be prevented. Further, since it is possible to prevent the introduction of moisture in air, an impurity, etc., which generate an oxidization phenomenon, etc. and thus generate dropped mark when supplying a liquid crystal agent, a strain incurred by the dropped marks can be prevented.

[Description of Drawings]

Fig. 1 is a partial cross-sectional view showing the construction of an assembly apparatus of a liquid crystal substrate according to an embodiment of the present invention.

Fig. 2 is a perspective view illustrating a contain ring of an upper substrate or a positional decision device of a lower substrate according to the present embodiment.

Fig. 3 is an explanatory view showing the construction of a nozzle portion of a dispenser for supplying a liquid crystal agent according to the present embodiment.

Fig. 4 is a surface view showing a coating pattern of a liquid crystal agent when viewed from the top of a lower substrate. Fig. 4(a) is an explanatory view showing a pattern of an almost straight shape, Fig. 4(b) is an explanatory view showing plural lines of the pattern of the almost straight shape shown in Fig. 4(a), Fig. 4(c) is an explanatory view showing a pattern of an almost cross shape, and Fig. 4(d) is an explanatory view showing a pattern of an almost straight shape having a wide width.

[Explanation of Numerals]

1a: Lower substrate (the other of substrates)

1b: Upper substrate (one of substrates)

9: Table

17: Dispenser (liquid crystal supply means)

18: Nozzle

18a: Gas supply unit

18b: Nozzle front-end portion

27: Pressurization plate

P: Liquid crystal agent

5 R: Rubbing direction (orientation direction)

θ : Angle

T1: XY θ stage (driving means)

LS: Substrate surface height measurement unit

IB: Ion blow means

10 UVL: UV type dry cleaner

(19) 日本国特許庁 (J P)

(12) 公開特許公報 (A)

(11) 特許出願公開番号
特開2002-323687
(P2002-323687A)

(43) 公開日 平成14年11月8日 (2002.11.8)

(51) Int.Cl. ⁷	識別記号	F I	テロトド* (参考)
G 0 2 F 1/13	1 0 1	G 0 2 F 1/13	2 H 0 8 8
	1/1341		2 H 0 8 9

審査請求 未請求 請求項の数 6 OL (全 12 頁)

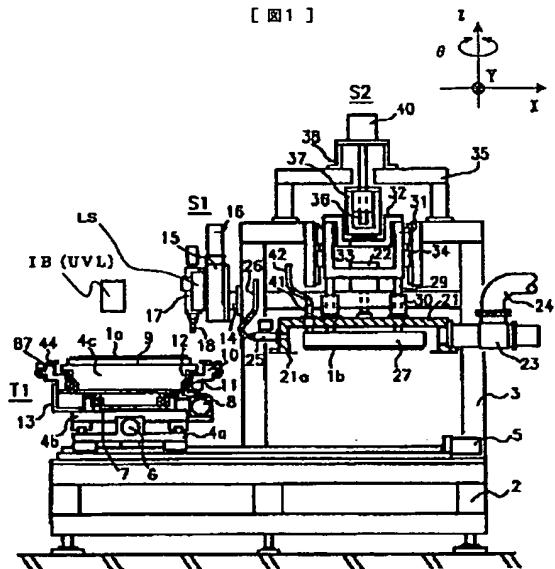
(21) 出願番号	特願2001-128144(P2001-128144)	(71) 出願人	000233077 株式会社 日立インダストリイズ 東京都足立区中川四丁目13番17号
(22) 出願日	平成13年4月25日 (2001.4.25)	(72) 発明者	石田 茂 茨城県竜ヶ崎市向陽台5丁目2番 日立テクノエンジニアリング株式会社開発研究所内
		(72) 発明者	川隅 幸宏 茨城県竜ヶ崎市向陽台5丁目2番 日立テクノエンジニアリング株式会社開発研究所内
		(74) 代理人	100059269 弁理士 秋本 正実

最終頁に続く

(54) 【発明の名称】 液晶基板の組立方法及びその組立装置

(57) 【要約】

【課題】 表示ムラの無い液晶パネルを生産すること
【解決手段】 一方の基板1 bを加圧板27の下面に保持すると共に他方の基板1 aをテーブル9上に保持し、その他方の基板1 a上に液晶剤Pを供給した後、対向した各基板1 a, 1 bを各々の間隔を狭めて各基板1 a, 1 bの内の何れか一方に設けた接着剤で貼り合わせる液晶基板の組立方法にて、この基板1 aの表面に対して所定の高さに液晶剤吐出用のノズル先端1 8 bを位置決めするノズル位置決め工程と、他方の基板1 a上に、この基板1 aの配向方向Rに対して所定の角度 θ で、液晶剤Pを予め設定された少なくとも一つの略直線状の塗布パターンで塗布する液晶剤塗布工程とを有すること。



【特許請求の範囲】

【請求項1】 貼り合わせ対象物たる二枚の基板の内の一方の基板を加圧板の下面に保持すると共に他方の基板をテーブル上に保持し、該他方の基板上に液晶剤を供給した後、対向した前記各基板を各々の間隔を狭めて当該各基板の内の何れか一方に設けた接着剤で貼り合わせる液晶基板の組立方法であって、

前記他方の基板の上方にて、該他方の基板の表面に対して所定の高さに液晶剤吐出用のノズル先端を位置決めするノズル位置決め工程と、

前記他方の基板上に、該他方の基板の配向方向に対して所定の角度で、前記液晶剤を予め設定された少なくとも一つの略直線状の塗布パターンで塗布する液晶剤塗布工程と、

を有することを特徴とした液晶基板の組立方法。

【請求項2】 前記液晶剤塗布工程は、前記液晶剤の塗布前にノズル先端周辺に不活性ガスを供給し、そして、前記液晶剤と不活性ガスを同時に吐出しながら前記液晶剤の塗布を行うことを特徴とした請求項1に記載の液晶基板の組立方法。

【請求項3】 前記液晶剤塗布工程の前に、前記他方の基板の表面にU式ドライ洗浄又はイオンブロー洗浄を行うことを特徴とした請求項1又は2の内の何れか一つに記載の液晶基板の組立方法。

【請求項4】 貼り合わせ対象物たる二枚の基板の内の一方の基板を保持する加圧板と、前記各基板の内の他方の基板を保持し且つ当該他方の基板を前記一方の基板に対向配置可能なテーブルと、前記他方の基板上に液晶剤を供給する液晶供給手段とを備え、前記一方の基板と液晶剤を供給した他方の基板とを減圧チャンパ内で加圧貼り合わせする液晶基板の組立装置であって、

前記他方の基板上に液晶剤を吐出する前記液晶供給手段に備えたノズルと、前記他方の基板の面とノズルとの間隔を測定する測定器と、前記ノズルにて前記液晶剤を前記他方の基板の配向方向に対して所定の角度で略直線状に塗布する為の前記テーブルの移動を付勢する駆動手段とを設けることを特徴とした液晶基板の組立装置。

【請求項5】 前記ノズルの液晶剤吐出口は、前記液晶剤を所定の幅の略直線状に塗布する為の多孔直列形に形成することを特徴とした請求項4に記載の液晶基板の組立装置。

【請求項6】 前記ノズルに、前記液晶剤の塗布前に不活性ガスを吐出し且つ前記液晶剤の塗布と同時に不活性ガスを吐出する前記ノズルの液晶剤吐出口を包囲した不活性ガス供給口を設けることを特徴とした請求項4又は5の内の何れか一つに記載の液晶基板の組立装置。

【発明の詳細な説明】

【0001】

【発明の属する技術分野】本発明は、液晶剤を介在させた貼り合わせ対象物たる基板同士を対向させて保持し、

その各基板の間隔を狭めて貼合せる液晶基板の組立方法及びその組立装置に関する。

【0002】

【従来の技術】液晶表示パネルの製造には、透明電極や薄膜トランジスタアレイが設けられた二枚のガラス基板を、基板の周縁部に口字状に設けたシール剤や基板の外周部の適宜な位置に塗布した接着剤で数 μm 程度の極めて接近した間隔をもって貼り合わせ、その各基板と接着剤（以下、「シール剤」ともいう。）で形成される空間に液晶を封止するという工程がある。

【0003】従来、その液晶の封止を行う際の基板貼り合わせ方法としては、注入口を設けないようにシール剤をクローズしたパターン（口字形）に描画した一方の基板上に液晶を滴下しておく。そして、真空チャンパ内にて他方の基板を一方の基板の上方に配置し、真空状態でその他方の基板と一方の基板との間隔を狭めて加圧して上下の基板を貼り合わせる、という特開昭62-89025号公報に開示された方法がある。

【0004】

【発明が解決しようとする課題】しかしながら、上記特開昭62-89025号公報に開示された方法では、基板上へ液晶剤を滴下しているため、基板膜面と液晶剤との間に発生する分子間力や滴下衝撃や貼り合わせ時の加圧に伴う液晶剤の反力（特に液晶剤の粘度増加に伴う反力）により生じる膜面の変形又は破損によって、更には配向不良等によって色ムラ不良が生じる、という不都合があった。また、貼り合わせ処理時における上下基板の狭いギャップ状態で、滴下した液晶剤の界面が発生して色ムラが生じるという不都合があった。更に又、液晶剤を滴下する際の空気の巻き込みにより、空気中の水分や不純物等が貼り合わされた基板と液晶剤との間に閉じ込められ、それが酸化現象等を引き起こして基板上に滴下痕として残ってしまう、という不都合があった。そして、その滴下痕によって、組み立てられた液晶パネルに色ムラが生じる、という不都合があった。

【0005】本発明は、かかる従来例の有する不都合を改善し、液晶剤の滴下痕や貼り合わせ時の液晶剤の界面による表示ムラの無い液晶パネルを生産することができる液晶基板の組立方法及びその組立装置を提供することを、その目的とする。

【0006】

【課題を解決するための手段】上記目的を達成する為、本発明では、貼り合わせ対象物たる二枚の基板の内の一方の基板を加圧板の下面に保持すると共に他方の基板をテーブル上に保持し、その他方の基板上に液晶剤を供給した後、対向した各基板を各々の間隔を狭めて当該各基板の内の何れか一方に設けた接着剤で貼り合わせる液晶基板の組立方法において、前記他方の基板の上方にてこの基板の表面に対して所定の高さに液晶剤吐出用のノズル先端を位置決めするノズル位置決め工程と、前記他方

の基板上にこの基板の配向方向に対して所定の角度で、液晶剤を予め設定された少なくとも一つの略直線状の塗布パターンで塗布する液晶剤塗布工程とを有している。

【0007】

【発明の実施の形態】本発明に係る液晶基板の組立装置の一実施形態について図1から図3に基づいて説明する。

【0008】本実施形態の液晶基板の組立装置の構成を図1に示す。この液晶基板の組立装置は、大別すると、液晶塗布装置たる液晶パターン塗布部S1と、上基板1bを保持する加圧板27を備えると共にその上基板1bを下基板1aに加圧する基板貼合部S2と、下基板1aを載置保持するテーブル9を備えるXYθステージT1とから構成される。ここで、液晶パターン塗布部S1及び基板貼合部S2は、架台2上に立設された複数の支持柱と各支持柱間を横架する横架材とから成るフレーム3に支持されると共に隣接して配置され、XYθステージT1は液晶パターン塗布部S1及び基板貼合部S2と架台2との間に移動自在に配置される。以下、これら各構成について詳述する。

【0009】液晶パターン塗布部S1は、後述するテーブル9に載置保持された下基板1a上(下基板1aの主面)に所望量の液晶剤を塗布するノズル18を備えたディスペンサ17と、このディスペンサ17を保持すると共に上下方向(図1に示すZ軸方向)に移動させるZ軸ステージ15と、このZ軸ステージ15の上下移動を付勢するモータ16と、ディスペンサ17の近傍に配設されると共にZ軸ステージ15に保持される基板表面高さ測定器LSとで構成される。このように構成された液晶パターン塗布部S1は、基板貼合部S2を支持する後述するフレーム3から突設されたブラケット14でZ軸ステージ15を保持して支持される。

【0010】ここで、そのディスペンサ17について説明する。このディスペンサ17には、図示しない圧力源(例えばポンプ)とエアフィルタが接続されており、その圧力源から送出された不活性ガス(例えば、窒素ガスやアルゴンガス等)をエアフィルタを通すことによって、ゴミ等の不純物を含まない不活性ガスが送り込まれる。この不活性ガスは、図3に示すが如く、液晶剤を納めたディスペンサ17の溜め部17aと、下基板1aに不活性ガスを供給するガス供給部18aとに送り込まれる。このように不活性ガスを溜め部17aに供給することによって液晶剤が圧送され、これによりノズル先端部18bからその液晶剤が下基板1aに塗布される。また、ガス供給部18aはノズル先端部18bに覆設されており、そのノズル先端部18bを囲うように不活性ガスが吐出される。本実施形態のノズル先端部18bの先端(液晶剤吐出口)形状は、略円形のものを用いられる。このように2重ノズルを用いることによって、液晶剤をできるだけ空気に触れずに塗布することが可能とな

る。

【0011】上述したディスペンサ17を用いて液晶剤を塗布する場合、一般に液晶剤を塗布すると同時に不活性ガスを吐出させている。ここで、本実施形態にあつては、それに加えて、液晶剤の塗布を開始する前から不活性ガスの吐出を開始しているため、下基板1a表面の空気が除去される為に、液晶剤が空気に触れる可能性を更に少なくすることができる。

【0012】続いて、前述した基板表面高さ測定器LSについて説明する。この基板表面高さ測定器LSは、例えば下基板1aの主面に向けて超音波を発射してからその反射波が戻ってくるまでの時間を計測し、その時間に基づいて基板表面高さ測定器LSと下基板1aとの間の距離を測定するものである。この基板表面高さ測定器LSは、例えば後述するが如くディスペンサ17のノズル位置を調整する際に使用される。即ち、そのノズル位置が下基板1aに対して所望高さになるようZ軸ステージ15を上下移動させる際に、基板表面高さ測定器LSによる測定距離を用いる。

【0013】ここで、図1には示していないが、その液晶剤塗布用のディスペンサ17の近くにはシール剤を吐出する為のディスペンサが配設されている。このシール剤供給用のディスペンサは、液晶剤塗布用のディスペンサ17と同様に図示しないブラケットを介してフレーム3に固定されている。

【0014】基板貼合部S2は、後述する下チャンバユニット10と共に減圧チャンバを成す下方が開いた上チャンバユニット21と、この上チャンバユニット21内にシャフト29を介して配設され且つ吸引吸着機構及び静電吸着機構を備えた加圧板27とから成り、それぞれが独立して上下動できる構造になっている。

【0015】具体的に、上チャンバユニット21には複数のシャフト29を挿通する図示しない貫通孔が各々形成されている。そして、上チャンバユニット21の上部には、その貫通孔とシャフト29との間の間隙を覆うと共にそのシャフト29に覆設するリニアブッシュ及び真空シールを内蔵したハウジング30と、本体をフレーム3の横架材に固定すると共にその本体内部にて上下方向に往復移動する部材を上チャンバユニット21の上部に固定するシリンダ22とが備えられる。このように構成することで、上チャンバユニット21がシャフト29をガイドとしてシリンダ22により上下方向に移動する。

【0016】上述したハウジング30の真空シールは、上チャンバユニット21と下チャンバユニット10とが合体して減圧チャンバを形成し、その際にハウジング30が変形しても貫通孔とシャフト29との間の間隙から真空漏れを起こさないように内蔵される。これが為、減圧チャンバの変形によってシャフト29に負荷が掛かっても、その力を吸収することができる。また、シャフト29の一端に固定された加圧板27の変形を防止でき、

後述するが如き各基板1a, 1bの貼り合わせの際に、加圧板27に保持された上基板1bとテーブル9に保持された下基板1aとの平行を保って貼り合わせを行うことができる。

【0017】ここで、上チャンバユニット21の下端部（開口の周縁部）には、下チャンバユニット10と共に減圧チャンバを形成した際にその減圧チャンバ内を気密する為のフランジ21aが設けられている。

【0018】また、上チャンバユニット21の一方の側部には、減圧チャンバ内を減圧する為、減圧チャンバ内に連通する配管ホース24と、この配管ホース24の途中に配設された真空バルブ23と、配管ホース24に接続された図示しない真空ポンプとが備えられる。

【0019】更に又、上チャンバユニット21の他方の側部には、減圧された減圧チャンバ内を大気圧に戻す為、減圧チャンバ内に連通するガスバージバルブ25と、このガスバージバルブ25に一端が接続されたガスクューブ26と、このガスクューブ26の他端に接続された窒素やクリーンドライエアー等を送出する加圧ポンプとが備えられる。

【0020】ここで、上チャンバユニット21の上部には加圧板27に形成された図示しないマーク認識用孔を通して各基板1a, 1bの位置合わせマークを観測する為の窓が複数設けられる。この場合、その位置合わせマークの観測には、上チャンバユニット21の窓の上方に配設された図示しない画像認識カメラが用いられ、この画像認識カメラによって各基板1a, 1bの位置合わせマークのずれを測定する。

【0021】続いて、加圧板27は、前述したが如くシャフト29の一端に固定されている。ここで、このシャフト29の他端はハウジング31に固定されており、このハウジング31の両側部に配設されたリニアガイド34とそのリニアガイド34に係合するフレーム3に設けられたガイド部3aとによって、加圧板27の上下動が可能な構造になっている。より具体的には、ハウジング31の上部に配設されたハウジング32と、このハウジング32の上面に配設された荷重計33と、上下方向に螺刻された雌螺子部を有し且つその荷重計33の上部に配設されたナットハウジング37と、このナットハウジング37の雌螺子部にて回動自在に螺合するボールねじ36と、このボールねじ36をその軸中心で回動する出力軸を備えたモータ40とを有し、このモータ40を駆動することによって加圧板27の上下動を行う。この場合、モータ40は、フレーム3の上部に配設されたフレーム35上のブラケット38に固定される。

【0022】このように構成することで、モータ40の駆動によって上基板1bを保持した加圧板27を下降させ、その上基板1bをテーブル9上の下基板1aに密着させて貼り合わせに必要な加圧力を与えることができる。ここで、上述した荷重計33は加圧力センサとして

働き、逐次フィードバックされた信号に基づいてモータ40を制御することで、各基板1a, 1bに所望の加圧力を与えることが可能になっている。

【0023】以上の如く上下動する加圧板27には、前述したように吸引吸着機構及び静電吸着機構が備えられる。この吸引吸着機構は、加圧板27の下面から形成された複数の図示しない吸引孔と、これら各吸引孔に連通すると共に上チャンバユニット21に配設された吸引吸着用継手41と、この吸引吸着用継手41に連通する吸引チューブ42と、この吸引チューブ42に接続する図示しない真空ポンプとで構成される。このように構成した吸引吸着機構は、大気下においては真空ポンプを駆動して上基板1bを加圧板27の下面に真空吸着（或いは吸引吸着）で密着保持する。

【0024】続いて、静電吸着機構について説明する。この静電吸着機構は、本実施形態においては略矩形の平板電極から成り、加圧板27の下面の両端側に形成された二つの略矩形の凹部に各々嵌着される。また、その平板電極は、その表面（加圧板27の下面側）が誘電体で覆われており、この誘電体の主面が加圧板27の下面と面一になるよう設けられる。このように加圧板27に配設された平板電極は、夫々正負の直流電源に適宜なスイッチを介して接続されている。これが為、各平板電極に正或いは負の電圧が印加されると、上記誘電体の主面に負或いは正の電荷が誘起される。そして、その電荷によって上基板1bに形成されている透明電極膜との間に発生するクーロン力で上基板1bが加圧板27に静電吸着される。ここで、各平板電極に印加する電圧は、同極でもよいし、夫々異なる双極でもよい。

【0025】尚、その周囲が大気の場合は、前述した吸引孔による吸引吸着を行った方がよい。その理由は、静電吸着を行う場合、上基板1bと加圧板27の間に空気層があると、静電気による放電現象が発生して上基板1bや加圧板27を損傷してしまう。これが為、例えば上基板1bを加圧板27に最初に密着保持するときは周囲が大気下にあるので、先ず吸引吸着機構で吸着し、減圧チャンバ内を減圧していった放電現象が発生しない程度まで減圧されてから静電吸着を行うことが望ましい。

【0026】ここで、後述するが如く加圧板27にて上基板1bを吸引吸着している状態で減圧チャンバ内を減圧していくと、その吸着力が小さくなり上基板1bが落下する虞がある。これが為、上チャンバユニット21には、加圧板27の僅か下の位置で上基板1bを受け止める受止爪60が設けられている。この受止爪60は、図2に示すように、上基板1bの対角位置たる二つの角部に対応して配設されており、上チャンバユニット21から下方に向けて延設したシャフト59で釣り下げ保持される。

【0027】具体的には、図示しないが、上チャンバユニット21に形成された貫通孔にシャフト59が挿通さ

れており、このシャフト59がその軸中心で回転し且つ上下移動できるように構成されている。この場合、減圧チャンバ内が真空漏れを起こさないようにシャフト59に真空シールが覆設されている。上記回転はシャフト59の端部に接続された図示しない回転アクチュエータによって、上下移動は同様にシャフト59の端部に接続された図示しない昇降アクチュエータによって行われる。このようにシャフト59を回転又は上下移動させることによって、各基板1a、1bの貼り合わせを行ない、下基板1a上に塗布された液晶剤を各基板1a、1bの主面の広がり方向に拡張させる場合に邪魔にならぬように受止爪60を退避させることができる。

【0028】次に、XY θ ステージT1について説明する。このXY θ ステージT1は、架台2上に配設されたXステージ4aと、このXステージ4a上に配設されたYステージ4bと、このYステージ4b上に配設された θ ステージ4cと、この θ ステージ4c上に配設され且つ下基板1aを載置保持するテーブル9と、Yステージ4b上にプレート13を介して固定され且つ上チャンバユニット21と共に減圧チャンバを成す上方が開口した下チャンバユニット10とを有する。

【0029】本実施形態のXステージ4aは、駆動モータ5によってYステージ4b、 θ ステージ4c、テーブル9並びに下チャンバユニット10を左右方向(図1中のX軸方向)に、即ち液晶パターン塗布部S1と基板貼合部S2の下方にて往復移動できるよう構成される。また、Yステージ4bは、駆動モータ6によって θ ステージ4c、テーブル9並びに下チャンバユニット10を前後方向(図1中のY軸方向)に移動できるよう構成される。更に又、 θ ステージ4cは、回転ベアリング7を介し駆動モータ8によってYステージ4bに対して図1に示す θ 方向に回転するよう構成される。ここで、 θ ステージ4cは、下チャンバユニット10に対し回転ベアリング11と真空シール12を介して回転自在に取付けられており、これにより θ ステージ4cが回転しても下チャンバユニット10がつかれて回転しない構造となっている。

【0030】ここで、下基板1aはテーブル9上で重力方向に載置されているので、その下基板1aの位置決めを図る為に、テーブル9には、図2に示すように、下基板1aの隣り合う二つの周縁部に対応して各々配設された複数の位置決め部材81と、下基板1aの残りの二つの周縁部に対応して各々配設された複数の押付ローラ82とを有する位置決め機構が備えられる。この押付ローラ82は、例えば図2に示す矢印方向にテーブル9上を移動できるよう構成されており、各押付ローラ82で下基板1aを位置決め部材81に押付けることによって、その下基板1aの水平方向(テーブル9の面方向)の位置決めを行うと共にテーブル9上での保持を行う。

【0031】しかしながら、各基板1a、1bを貼り合

わせる直前の微小位置決めの際に、上基板1bが下基板1a上のシール剤や液晶剤と接触した影響で下基板1aがずれたり持上がる虞がある。又は、減圧チャンバ内を減圧する際に、その減圧過程で下基板1aとテーブル9との間に入り込んでいる空気が逃げ、これにより下基板1aが踊ってずれてしまう虞がある。これが為、そのテーブル9にあっても、前述した加圧板27と同様に構成された吸引吸着機構及び静電吸着機構が備えられており、これによりテーブル9上に下基板1aが密着保持される。

【0032】ここで、そのテーブル9には、下基板1aの載置面から突出可能であり且つ上下方向に移動自在な図示しないピンが複数配設される。このようにピンを設けることによって、各ピンを上昇させて貼り合わせ後の基板を押し上げることができ、これによりテーブル9からの取り出しを容易にしている。また、例えば各ピンを上昇させた際にテーブル9に当接させることで接地状態にし、貼り合わせ後の基板の除電を行なうことができる。

【0033】続いて、下チャンバユニット10には、上端部(開口の周縁部)に配設されたリング44と、このリング44の外側に配設されたボールベアリング87とが備えられる。このようにリング44を設けているので、後述するが如く上チャンバユニット21を下降させてそのフランジ21aをリング44に当接させた際に、各チャンバユニット10、21が一体となり、減圧チャンバとして機能させることができる。また、ボールベアリング87は、減圧チャンバを減圧した際のリング44のつぶれ量を調整する為に、上下方向の任意の位置に設定できるよう構成される。このようにボールベアリング87の位置を適宜調整することによって、減圧により掛かる大きな力を、ボールベアリング87を介して下チャンバユニット10で受けることができる。そして、このようなボールベアリング87が配設されることによってリング44の弾性変形が可能となるので、後述する貼り合わせ時に、XY θ ステージT1をリング44の弾性範囲内で容易に微動させ精密に位置決めすることができる。

【0034】次に、本実施形態の液晶基板の組立装置の動作を説明する。

【0035】先ず、テーブル9に上基板1bを保持した治具を図示しない移載機のハンドを用いて載置した後、駆動モータ5を駆動してXステージ4aを動かし、XY θ ステージT1を基板貼合部S2の下に移動させる。そして、モータ40を駆動して加圧板27を下降させ、テーブル9上の上基板1bを加圧板27に吸引吸着する。しかる後、モータ40を駆動して加圧板27を上昇させ、その加圧板27に上基板1bを保持した状態で待機させる。

【0036】上基板1bの加圧板27への保持が終了す

ると、駆動モータ5を駆動してXY θ ステージT1を液晶パターン塗布部S1の下に移動する。そして、テーブル9から空になった治具を外してそのテーブル9上に移動機のハンドを用いて下基板1aを載置し、この下基板1aを前述した図2に示す位置決め部材81と押付ローラ82で位置決めして保持する。

【0037】ここで、通常、上基板1bと下基板1aは、この各基板1a、1bに設ける配向膜のラビング方向各々が略直角になるように配置されるので、液晶剤を所定の面積（位置）に供給する際は、貼り合わせ時に液晶剤を押し広げることができるように各基板1a、1bのラビング方向を考慮する必要がある。即ち、供給された液晶剤の形状を配向方向に対して略直角方向に細長い形状にすれば、液晶剤が略均一に広がる。このようにラビング方向を考慮して液晶剤を塗布する理由は、液晶剤はラビング（配向）方向に流れ易いので、その液晶剤がシール剤に到達するまでの時間をその方向に関係なく略均一にし、液晶剤の広がる速度の遅い方をシール剤に近くなるように塗布する為である。これが為、貼り合わせ時の液晶剤の広がりも考慮して、後述するが如く下基板1aの配向方向に対して所定の角度の傾きを設けてパターンを形成し、貼り合わせ完了時の液晶剤の広がりを略均一にする。

【0038】以上のことから、各基板1a、1bは、そのラビング方向が液晶剤の塗布方向（例えば本実施形態にあっては図1に示すX軸方向）に対して所定の角度をもつようにテーブル9上に載置する。

【0039】前述したが如くテーブル9上に下基板1aが保持されると、その状態で下基板1a表面の液晶剤の濡れ性を向上させる為、図1に示すイオンブロー手段IBを用いてイオンブローを行う。このイオンブローとは、イオン化超音波エアーを下基板1a表面に吹き付けることで、その基板表面の清掃と液晶剤の濡れ性を向上させるものである。ここで、このイオンブローに替えて、図1に示すUV（紫外線）式ドライ洗浄器UVLによりドライ洗浄を行ってもよい。但し、このドライ洗浄は、後述するシール剤塗布後に行くとシール剤に悪影響を及ぼす（シール剤を固化する）虞がある為、シール剤塗布前に行うことが望ましい。尚、イオンブローを用いる場合は、シール剤塗布後に行っても問題はない。

【0040】続いて、各駆動モータ5、6を駆動し、Xステージ4aとYステージ4bを動かしてXY θ ステージT1をX軸、Y軸方向に移動させながらシール剤供給用のディスペンサから下基板1a上にシール剤を吐出する。その際、下基板1a上にはクローズ（閉鎖）したパターン（例えば口字形）でシール剤が塗布される。このようにしてシール剤を塗布した後、そのシール剤から成る枠内にディスペンサ17から液晶剤を必要量だけ塗布する。以下に、その液晶剤の塗布方法について詳述する。

【0041】まず、下基板1aに液晶剤Pを塗布するノズル先端部18bの高さ（液晶剤Pの吐出高さ）を、液晶剤塗布用のディスペンサ17の近傍に設けた前述した基板表面高さ測定器LSを用いて測定する。しかる後、その測定値に基づきモータ16を駆動してZ軸ステージ15を上下移動させ、ディスペンサ17のノズル先端部18bを所定の高さに位置決めする。本実施形態にあっては、このノズル先端部18bの高さは、シール剤の高さ（本実施形態にあっては20～30 μ m程度の高さ）より低い10～20 μ m程度に設定している。このように液晶剤Pの吐出高さをシール剤の高さより低くすることによって、基板貼り合わせの際の基板加圧時に液晶剤Pにより基板1a、1b間に作用する反力を緩和でき、更には従来例の如き液晶剤滴下時の衝撃力を小さくできる。そしてこれが為、色ムラの発生を防止できる。更には供給した液晶剤Pの高さが低い為、貼り合わせ時間の短縮も図れる。

【0042】続いて、Xステージ4aやYステージ4bを動かして下基板1aをX軸やY軸方向に移動させながら、ノズル先端部18bから液晶剤Pを吐出して下基板1aの主面上の略中央部付近に所定のパターンで塗布する。

【0043】本実施形態における液晶剤塗布パターンは、図4（a）に示すが如く、クローズしたシール剤のパターン内に、前述したノズル先端部18bの設定高さで直線状に液晶剤Pを塗布したものである。その際の塗布方向は、下基板1aの配向膜の配向方向R（ラビング方向）に対して角度 θ （例えば、約30～60度）で塗布しており、この場合の液晶剤Pの塗布量は、基板貼り合わせが完了したときの各基板1a、1bとシール剤との間の容積と略一致する量としている。尚、液晶剤Pの塗布方向は、基板貼り合わせ時に液晶剤Pが広がるものであれば配向方向に対して45度にすることが望ましい。このように液晶剤Pを連続的に吐出して下基板1aに塗布することによって、液晶剤Pの供給時間の短縮が図れる。

【0044】ここで、液晶剤Pの吐出前にガス供給部18aから不活性ガスのみを予め供給して下基板1a表面を不活性ガス雰囲気とし、しかる後、液晶剤Pと不活性ガスを同時に吐出しながら液晶剤Pを塗布することが望ましい。このように不活性ガス雰囲気中で液晶剤Pの塗布を行うことで、大気中の水分や不純物の巻き込み、液晶剤Pの酸化を防止できる。また、吐出された不活性ガスの作用によって液晶剤Pを濡れ広げることができ、液晶面の高さをより低くすることができるので、基板貼り合わせ時間の更なる短縮が可能となる。また、テーブル9に図2に示すヒータHTを設置し、このヒータHTで下基板1aを暖めることによって塗布された液晶剤Pの粘度を低下させ、液晶面の高さを低くしてもよい。

【0045】ここで、上述したが如く液晶剤Pを塗布し

た後で再度下基板1 a表面をイオンブローしてもよい。これにより、下基板1 aは液晶剤の濡れ性が更に向上し、イオンブローしない場合に比べて液晶剤を早くシール剤端面まで広げることができる。また、液晶剤Pを塗布する際に、下基板1 aを加振しながら塗布を行ってもよい。これにより、従来例の如き液晶剤滴下時の衝撃力を更に緩和することができ、更には液晶剤と下基板1 aとの間の表面張力の作用が無くなり易くなる為、よりいっそう色ムラの発生を防止できる。

【0046】ここで、説明を省略したが、上基板1 b又は下基板1 aには予めスペースが散布され、若しくは貼付けられている。この場合のスペースとは、各基板1 a, 1 bを貼り合わせる際に、その各基板1 a, 1 b間の隙間が所定量以下とならないようにするものである。尚、そのスペースを液晶剤に混入しておき、液晶塗布と共にスペースの散布を行ってもよい。

【0047】前述した如く液晶剤が必要量だけ塗布された後、駆動モータ5を駆動してXYθステージT1を基板貼合せ部S2の下の所定位置に移動する。そして、XYθステージT1が停止すると、シリンダ22を動作させて上チャンバユニット21を下降させ、そのフランジ部21 aをリング44に当接させる。これにより、下チャンバユニット10と上チャンバユニット21とから成る減圧チャンバが形成される。

【0048】減圧チャンバが形成された後、真空バルブ23を開放して減圧チャンバ内を減圧していく。その際、前述した如く上基板1 bは加圧板27に吸引吸着された状態である為、減圧チャンバ内の減圧が進み真空化していくと上基板1 bに作用していた吸引吸着力が徐々に小さくなってその上基板1 bを保持できなくなり、上基板1 bが自重で落下する。これが為、前述した回転アクチュエータや昇降アクチュエータによって図2に示す受止爪60を動かし、上基板1 bを受止爪60で受け止めて加圧板27の僅かに下の位置に保持する。

【0049】減圧チャンバ内が充分減圧された時点(本実施形態にあつては約 5×10^{-3} Torr程度)で、加圧板27に設けた静電吸着機構に電圧を印加し、受止爪60上にある上基板1 bを加圧板27にクーロン力で保持する。その際、減圧チャンバ内は既にかなり減圧されており、加圧板27と上基板1 bの間に空気が残っていないので、静電気による放電が発生しない。また、空気が逃げるときに発生する上基板1 bの踊りもない。

【0050】上基板1 bが静電吸着されると、シャフト59を昇降アクチュエータで下降させ且つ回転アクチュエータで回転させて、受止爪60を各基板1 a, 1 bの貼り合わせの邪魔にならぬように待避させる。そして、モータ40を駆動して加圧板27を下降させ、上基板1 bを下基板1 aに接近させる。しかる後、画像認識カメラを用いて各基板1 a, 1 bに設けた位置合わせマークを読み取って画像処理で位置ずれの測定を行い、この測定値

に基づきXステージ4 a, Yステージ4 b並びにθステージ4 cの動作制御を行ってテーブル9を微動させ、下基板1 aと上基板1 bとの高精度な位置合わせを行う。ここで、下チャンバユニット10には前述した如きボールベアリング87が配設されているので、その微動の際にボールベアリング87が各チャンバユニット10、21の間隔を維持でき、リング44を極端に変形させないで真空状態(減圧状態)を維持することができる。

【0051】その位置合わせが終了すると、加圧板27を更に下降させ、上基板1 bの下面を下基板1 a上のシール剤に接触させる。その際、荷重計33でシール剤に掛かる加圧力を計測しながらモータ40の駆動力を制御して各基板1 a, 1 bを所望間隔に貼り合わせる。この場合、上基板1 bは加圧板27に静電吸着力により密着している為その中央部が垂れ下がることはない。従って、液晶剤中のスペースに悪影響を与えたり、基板1 a, 1 b同士の位置合せ不良が生じることはない。

【0052】ここで、貼り合わせる基板の面積が大きくなると、前述した加圧力による貼り合わせだけでは十分にシール剤を漬すことができない。これが為、その加圧力による貼り合わせ(一次加圧)が終了すると、加圧板27の静電吸着を解除し、シリンダ22を動作して上チャンバユニット21を上昇させる。そして、真空バルブ23を締めてガスパージバルブ25を開き、真空チャンバ内に窒素ガスやクリーンドライエアーを供給して大気圧に戻す。このように真空チャンバ内を大気圧に戻すことによって液晶基板面に圧力を加え、所望の厚みに確実に貼り合わせる(二次加圧)。

【0053】ここで、真空チャンバ内圧力を真空状態から大気圧へと変化させた際に、基板1 a, 1 b間における液晶剤間の空間部分が真空状態である為、各基板1 a, 1 bには略均一にその外部から大きな圧力が加わる。例えば各基板1 a, 1 b間の空間部分が真空状態のときに大気圧を加えると121.6 kNの力を掛けることができる。上記本加圧は、その各基板1 a, 1 bに掛かる圧力を利用して貼り合わせを行うものである。

【0054】貼り合わせが終了すると、ガスパージバルブ25を閉じ、XYθステージT1を液晶パターン塗布部S1の下に戻してテーブル9から貼り合わせた基板を移載機のハンドで取り出し、次の基板の貼り合わせに備える。その取り出された貼り合わせ後の基板は、下流のUV光照射装置や加熱装置等に送られてシール剤の硬化が行われる。

【0055】以上示したが如く、本実施形態にあつてはシール剤を塗布し、液晶剤を塗布した後直ちに貼り合わせ工程に移行することができるので、貼り合わせ前の基板に塵埃が付着し難い。そしてこれが為、貼り合わせ後の基板にて前述した従来例の如き滴下痕等に起因する不良品が発生し難く、生産時の歩留まり向上を図ることができる。

【0056】また、液晶剤は、正確な量を供給することができるので、液晶剤の無駄な消費を無くすことができ、且つ液晶剤がシール剤のパターンの外側に溢れて基板を汚染する虞がなくなる。この場合、汚染された基板の洗浄工程が不要となるので、更なる生産性の向上を図ることができる。

【0057】更に又、下基板1aを載置保持するXY θ ステージT1を上基板1bの上チャンバユニット21への搬送に利用できるため、上基板1b搬送用の他の機構を設けなくてもよく、組立装置の小型化を図ることができる。

【0058】尚、本発明は、必ずしも上記実施形態の態様に限定するものではなく、以下の如く実施してもよい。

(1) 本実施形態にあっては、共通の架台2上に液晶パターン塗布部S1と基板貼合部S2を配置しているものを例示したが、シール剤塗布と液晶剤塗布を行う一つの装置を設け、貼り合わせを行う装置とは別構成としてよい。更には、シール剤塗布と液晶剤塗布も別々の装置構成としてもよい。

(2) 上基板1bは、XY θ ステージT1に搭載せずに、本実施形態にてXY θ ステージT1に搭載する為に使用される移載機のハンドから直接加圧板27に搬送して吸引吸着させてよい。

(3) 本実施形態にあっては、ノズルから局所的に不活性ガスを供給する方式を例示したが、組立装置全体を不活性ガス雰囲気チャンバー内に配設したり、減圧チャンバー内に配設したりすることで、液晶剤滴下雰囲気不活性ガスや真空(減圧)状態にしてもよい。

(4) 本実施形態にあっては、下基板1aにシール剤を塗布する場合について例示したが、上基板1bに塗布してもよい。但し、この場合は、上基板1bにシール剤を塗布した後、上基板1bを反転させる工程が必要となるので、どちらの基板にシール剤を塗布するかについて適宜選択することが望ましい。

【0059】ここで、液晶剤塗布パターンは、前述した図4(a)に示すものに替えて以下の如く行ってもよい。

【0060】第一に、図4(b)に示すが如く図4(a)に示す液晶剤Pの直線パターンを複数本近づけて描画(塗布)する。この場合、液晶剤Pの塗布方向は、図4(a)に示す液晶剤塗布パターンと同様にラビング方向(配向方向)Rに対して角度 θ で塗布する。このような液晶剤塗布パターンとすることによって、ノズル先端部18bと下基板1aとの間隔を小さくしても十分な量の液晶剤Pを下基板1aに供給することができる。そして、これにより液晶剤Pの高さをより低くできるので、更に前述した色ムラの防止や貼り合わせ時間の短縮を図ることができる。尚、この場合の基板貼り合わせを実行するタイミングは、塗布した複数本の液晶剤Pがシ

ール剤のパターン内に広がって密着してから行うことが望ましい。

【0061】第二に、図4(c)に示すが如く液晶剤Pを略十字状に塗布する。このように略十字状に塗布する理由は、上基板1bと下基板1aとではラビング方向Rが略直角となっているので、基板貼り合わせ時に液晶剤Pを広がり易くする為にある。このような液晶剤塗布パターンは、図4(c)に示すが如くラビング方向(配向方向)Rと液晶剤Pの塗布方向とが一致しても液晶剤Pが広がり易くなるので、ラビング方向Rと一致した方向に液晶剤Pを塗布する場合に有効である。

【0062】第三に、図4(d)に示すが如く液晶剤Pを幅広の略直線状(略矩形状)に塗布する。この場合は、前述した略円形状の吐出口のノズル先端部18bに替え、複数の液晶剤吐出孔を直列配置した多孔直列状の吐出口を有するノズル先端部を用いる。その際の液晶剤Pの塗布方向は、図4(a)に示す液晶剤塗布パターンと同様にラビング方向(配向方向)Rに対して角度 θ で塗布する。このようなノズル先端部を用いて液晶剤Pを塗布することによって、所望量の液晶剤Pを供給する為に図4(b)の如く複数回吐出位置を変えて液晶剤Pを吐出する必要がなくなり、液晶剤Pの供給時間を短縮できる。また、ノズル先端部18bと下基板1aとの間隔を小さくしても十分な量の液晶剤Pを下基板1aに供給することができるので、液晶剤Pの高さをより低くすることが可能となり、更に前述した色ムラの防止や貼り合わせ時間の短縮を図ることができる。

【0063】

【発明の効果】本発明に係る液晶基板の組立方法及びその組立装置は、従来例にて基板上へ液晶剤を滴下することによって生じていた基板膜面と液晶剤との間に発生する分子間力、滴下衝撃や貼り合わせ時の加圧に伴う液晶剤の反力により生じる膜面の変形又は破損による色ムラの発生を防止できる。また、貼り合わせ処理時における上下基板の狭いギャップ状態での滴下した液晶剤の界面の発生を防止でき、色ムラの発生を防止できる。更に又、酸化現象等を引き起こして滴下痕を生じさせていた液晶剤供給時の空気中の水分や不純物等の混入を防止できるので、その滴下跡によって生じていた色ムラを防止できる、という従来にない優れた液晶基板の組立方法及びその組立装置を得ることが可能となる。

【図面の簡単な説明】

【図1】本発明に係る液晶基板の組立装置の一実施形態の構成を示す部分断面図である。

【図2】本実施形態に係る上基板の受止爪や下基板の位置決め機構を説明する斜視図である。

【図3】本実施形態に係る液晶剤供給用ディスペンサのノズル部分の構成を説明する説明図である。

【図4】液晶剤の塗布パターンを下基板の上方から見た上面図であって、図4(a)は略直線状のパターンを、

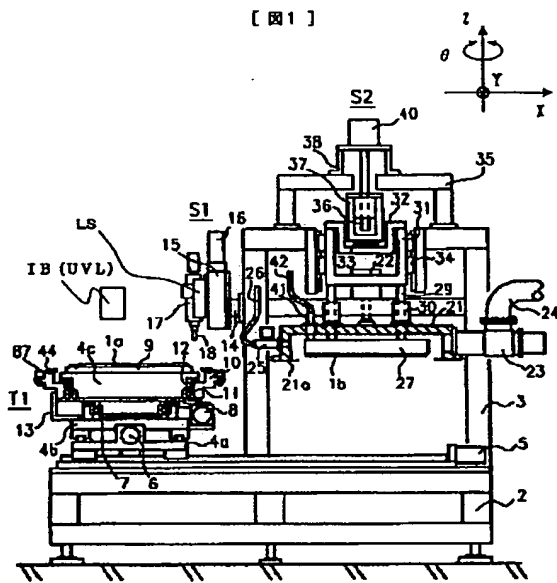
図4 (b) は図4 (a) に示す略直線状のパターンを複数本設けたものを、図4 (c) は略十字状のパターンを、図4 (d) は幅広の略直線状のパターンを説明する説明図である。

【符号の説明】

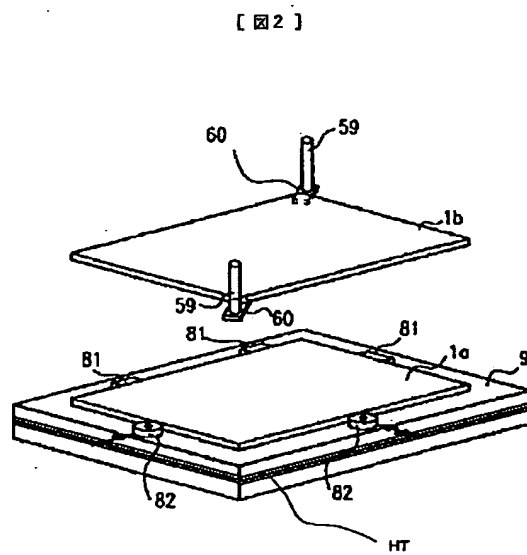
- 1a 下基板 (他方の基板)
- 1b 上基板 (一方の基板)
- 9 テーブル
- 17 ディスペンサ (液晶供給手段)
- 18 ノズル

- 18a ガス供給部
- 18b ノズル先端部
- 27 加圧板
- P 液晶剤
- R ラビング方向 (配向方向)
- θ 角度
- T1 XY θ ステージ (駆動手段)
- LS 基板表面高さ測定器
- IB イオンブロー手段
- UVL UV式ドライ洗浄器

【図1】

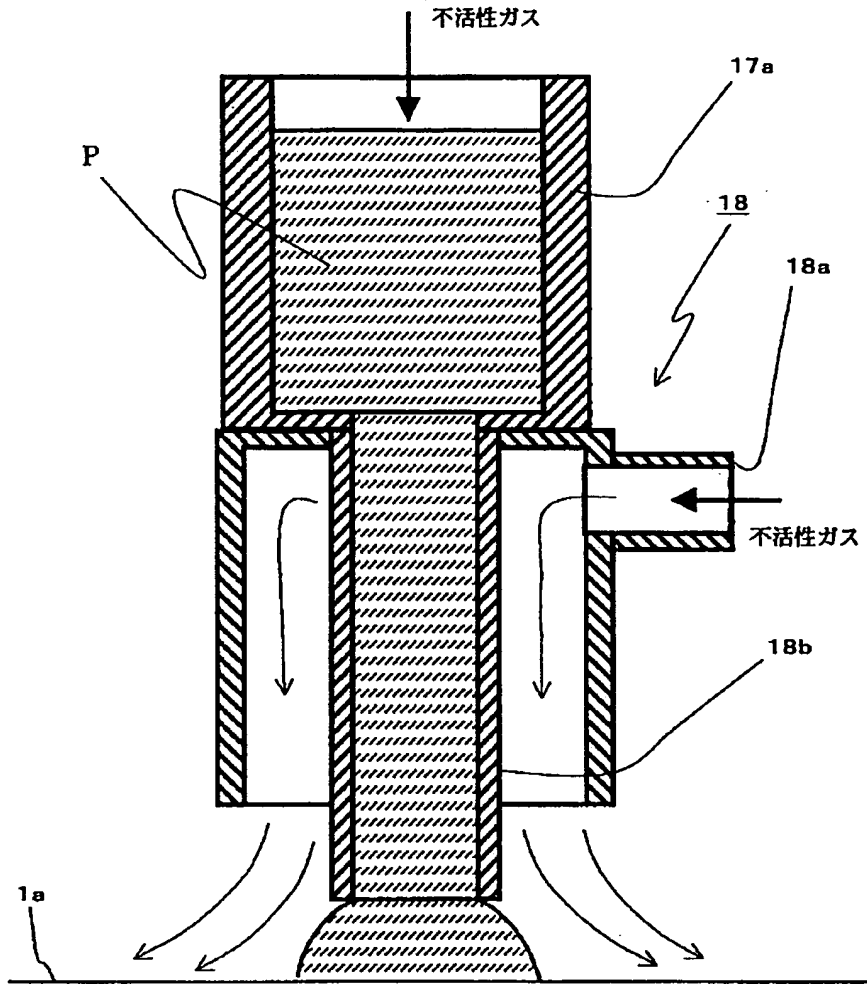


【図2】



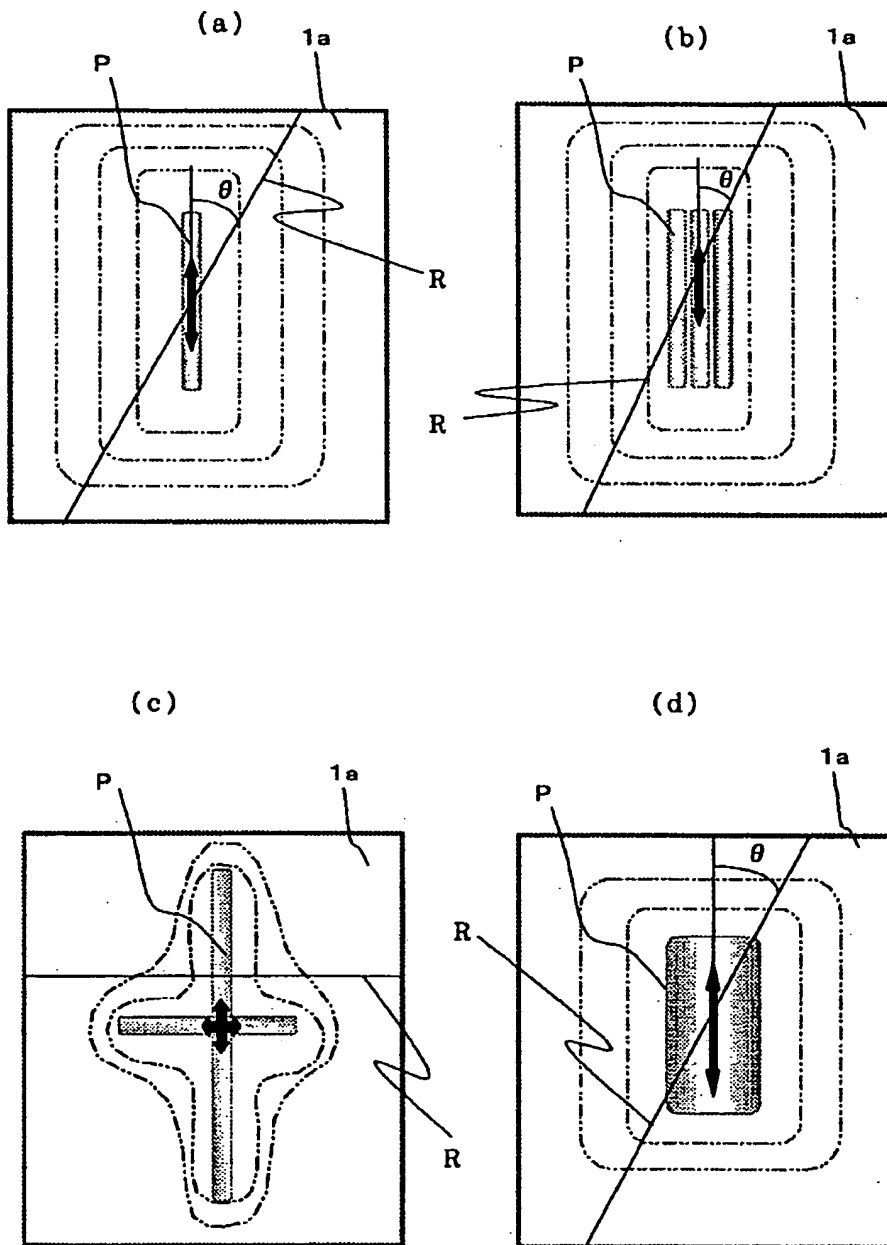
【図3】

[図3]



【図4】

[図4]



フロントページの続き

(72)発明者 八幡 聡
茨城県竜ヶ崎市向陽台5丁目2番 日立テ
クノエンジニアリング株式会社竜ヶ崎工場
内

(72)発明者 村山 孝夫
茨城県竜ヶ崎市向陽台5丁目2番 日立テ
クノエンジニアリング株式会社竜ヶ崎工場
内

(72)発明者 平井 明

茨城県竜ヶ崎市向陽台5丁目2番 日立テ
クノエンジニアリング株式会社竜ヶ崎工場
内

(72)発明者 遠藤 政智

茨城県竜ヶ崎市向陽台5丁目2番 日立テ
クノエンジニアリング株式会社竜ヶ崎工場
内

(72)発明者 中山 幸徳

茨城県竜ヶ崎市向陽台5丁目2番 日立テ
クノエンジニアリング株式会社竜ヶ崎工場
内

Fターム(参考) 2H088 FA01 FA16 HA08 MA18

2H089 NA22 NA25 PA15 TA01 TA09